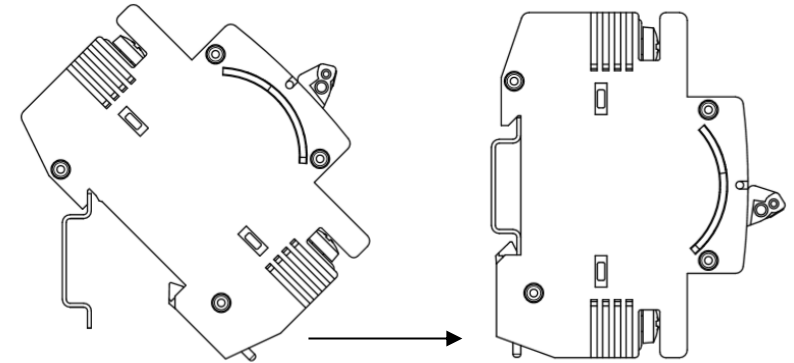
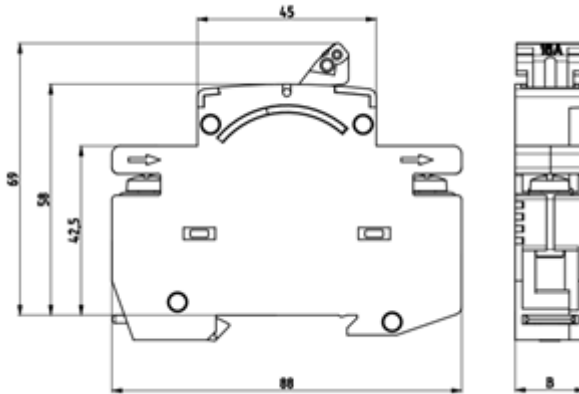


Fuse-switch disconnecter VLD01

Dimensions [mm]

Installation



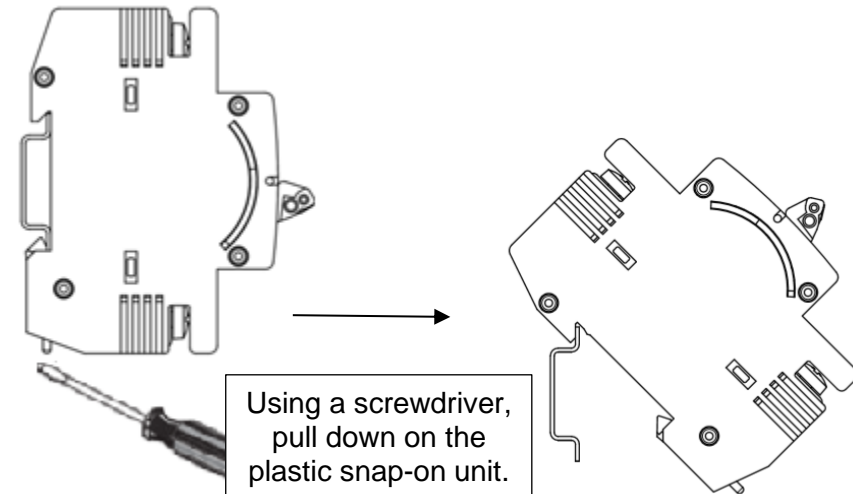
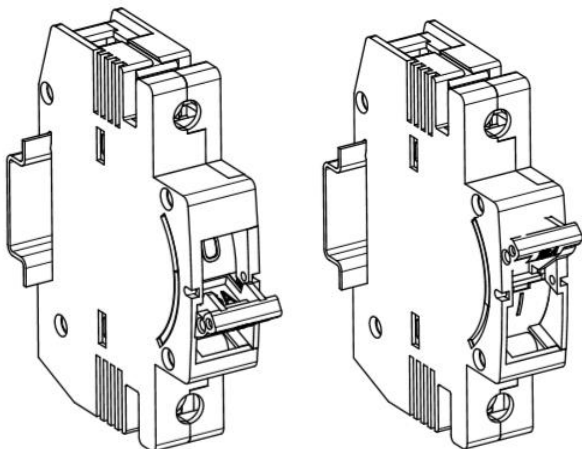
CAUTION!
Installation by electricians only!

TYPE	1p	1p + N	2p	3p	3p + N
B[mm]	17,5	17,5	35	52,5	70,4

Snap on DIN rail.

Disconnecter switched off/on

Disassembly



Using a screwdriver,
pull down on the
plastic snap-on unit.